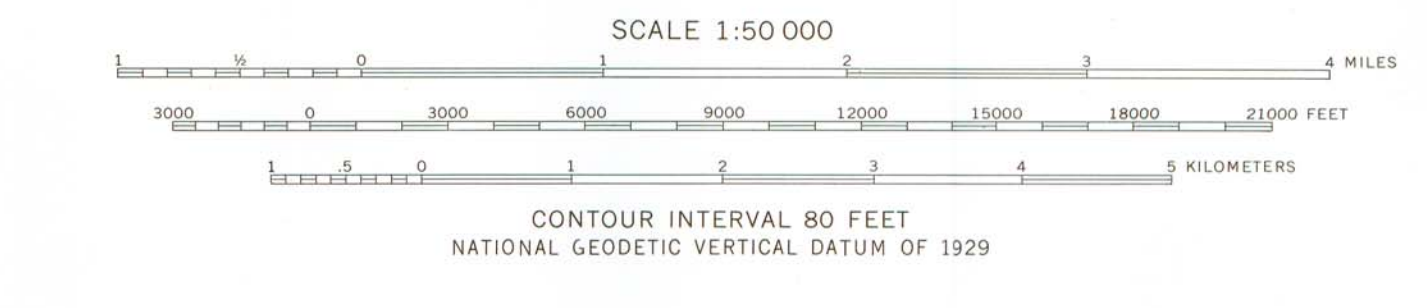
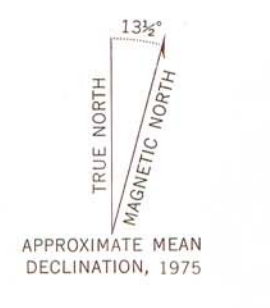


Mapped, edited, and published by the Geological Survey in cooperation with Colorado Division of Planning, Department of Local Affairs. Compiled in 1975 from USGS 1:24,000-scale topographic maps dated 1961-1974. See index for dates of individual maps. Partially revised from aerial photographs taken 1972-73 and from other official sources. Projection and 20,000-foot grid ticks: Colorado coordinate system, central zone (Lambert conformal conic) 5000-meter Universal Transverse Mercator grid, zone 13. 1927 North American Datum. Red tint indicates areas within corporate boundaries or in which only landmark buildings are shown. Where omitted, land lines have not been established or are not shown because of insufficient data. National forest boundaries represent proclamation lines and do not necessarily imply Federal jurisdiction.

INDEX TO 1:24,000-SCALE MAPS

1	2	3	4
5	6	7	8
9	10	11	12
13	14	15	16



CONTOUR VALUES

11200	3414
11000	3293
10800	3172
10600	3051
10400	2930
10200	2809
10000	2688
9800	2567
9600	2446
9400	2325
9200	2204
9000	2083
8800	1962
8600	1841
8400	1720
8200	1599
8000	1478
7800	1357
7600	1236
7400	1115
7200	994
7000	873

- LEGEND
- Perennial stream, lake
 - Intermittent stream, lake
 - Public park or recreation area
 - National and State Forest or game land area
 - Other public area or Military or Indian Reservation

- ROAD CLASSIFICATION
- Primary highway, hard surface
 - Secondary highway, hard surface
 - Unimproved road
 - Interstate Route
 - U. S. Route
 - State Route

THIS MAP COMPLIES WITH NATIONAL MAP ACCURACY STANDARDS
FOR SALE BY U.S. GEOLOGICAL SURVEY, P.O. BOX 26298, DENVER, COLORADO 80225
A FOLDER DESCRIBING TOPOGRAPHIC MAPS AND SYMBOLS IS AVAILABLE ON REQUEST

