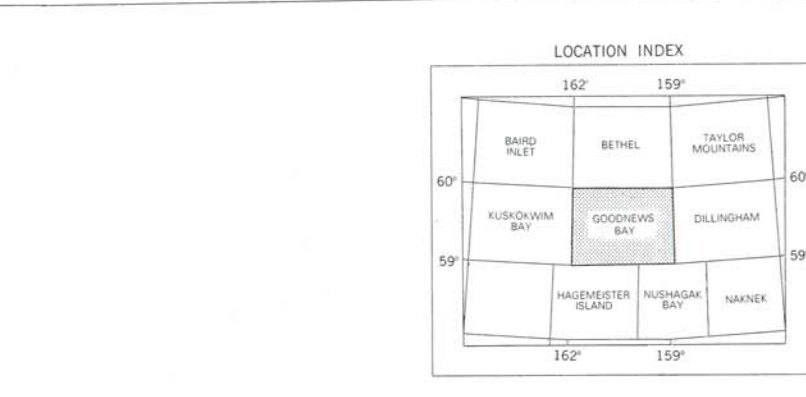
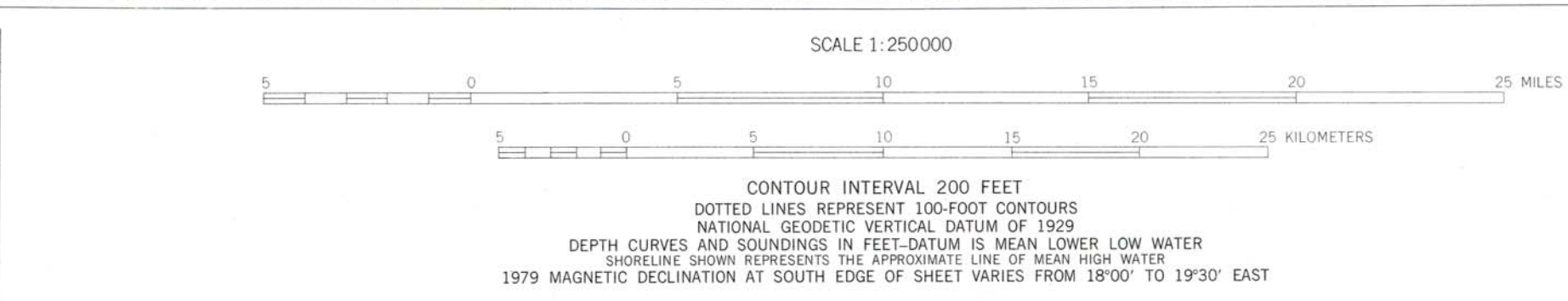


MAPPED, EDITED, AND PUBLISHED BY THE GEOLOGICAL SURVEY
CONTROL BY USGS, NOS/NOAA, AND USACE
COMPILED FROM U.S. GEOLOGICAL SURVEY 1:63 360-SCALE MAPS
DATED 1954 AND 1978, AND FROM OTHER SOURCE DATA
MAP NOT FIELD CHECKED. MAP EDITED 1979
SELECTED HYDROGRAPHIC DATA COMPILED FROM NOS/NOAA CHARTS
16300 (1976), 16322 (1976), AND 16011 (1975). THIS INFORMATION IS NOT
INTENDED FOR NAVIGATIONAL PURPOSES
PROJECTION AND 10,000-METER GRID, ZONE 4. UNIVERSAL TRANSVERSE MERCATOR
100,000-FOOT GRID TICKS, BASED ON ALASKA COORDINATE SYSTEM, ZONES 7 AND 6
1927 NORTH AMERICAN DATUM
GRAY LAND LINES REPRESENT UNSURVEYED AND UNMARKED LOCATIONS
PREDETERMINED BY THE BUREAU OF LAND MANAGEMENT
FOCUS S-19 AND S-20, SEWARD MERIDIAN
SWAMPS, AS PROTRATED, INDICATE ONLY THE WETTER AREAS,
USUALLY OF LOW RELIEF, AS INTERPRETED FROM AERIAL PHOTOGRAPHS
THERE MAY BE PRIVATE INHOLDINGS WITHIN THE BOUNDARIES OF
THE NATIONAL OR STATE RESERVATIONS SHOWN ON THIS MAP

OFFSHORE PROTRACTION SURVEY DATA, PRINTED IN RED, COMPILED BY
THE BUREAU OF LAND MANAGEMENT. HEAVY RED LINES INDICATE LIMITS OF
BLM OUTER CONTINENTAL SHELF OFFICIAL PROTRACTION DIAGRAMS
THE PROTRACTIONS ON THIS MAP ARE NOT FOR FEDERAL LEASING PURPOSES;
FOR SUCH PURPOSES, REFER TO THE OCS OFFICIAL PROTRACTION DIAGRAMS
AVAILABLE FROM THE BUREAU OF LAND MANAGEMENT

GRID ZONE DESIGNATION	TO GIVE A STANDARD REFERENCE ON THIS SHEET TO NEAREST 1000 METERS
41	SAMPLE POINT FEET
100,000 M. SQUARE IDENTIFICATION	1. Read letters identifying 100,000 meter square in which the point lies.
CB DB	2. Locate the VERTICAL grid line to left of point and read LARGE figure labeling the line either in the top or bottom margin, or on the line itself.
CA DA	3. Locate the HORIZONTAL grid line below point and read LARGE figure labeling the line either in the left or right margin, or on the line itself.
408121	4. Estimate bearings from grid line to point.
408121	5. Estimate bearings from grid line to point.



ROAD CLASSIFICATION
LIGHT DUTY TRAILS
GOODNEWS BAY, ALASKA
(FORMERLY GOODNEWS)
N5900-W15900/60X180
1979

FOR SALE BY U.S. GEOLOGICAL SURVEY
FAIRBANKS, ALASKA 99701, DENVER, COLORADO, 80225 OR RESTON, VIRGINIA 22092,
AND NATIONAL OCEAN SURVEY, ROCKVILLE, MARYLAND 20862
A PAMPHLET DESCRIBING TOPOGRAPHIC MAPS AND SYMBOLS IS AVAILABLE ON REQUEST