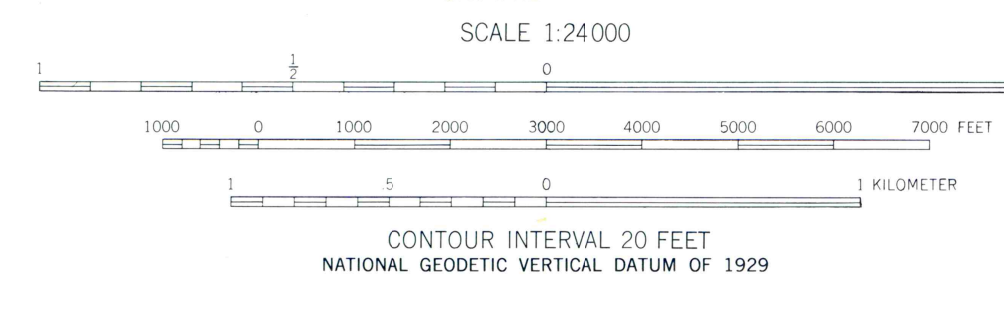
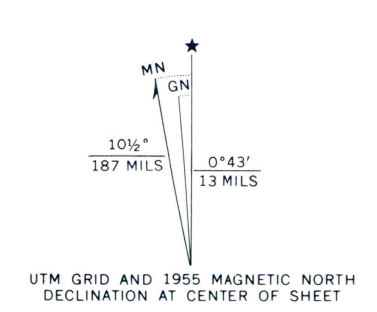


Mapped by the Army Map Service  
Edited and published by the Geological Survey  
Control by USGS, USC&GS, and TVA  
Topography from aerial photographs by photogrammetric methods. Aerial photographs taken 1942. Field check 1943.  
Culture revised by the Geological Survey 1955.  
Polyconic projection. 1927 North American datum.  
10,000-foot grid based on New York coordinate system, central zone.  
Unchecked elevations are shown in brown.  
1000-meter Universal Transverse Mercator grid ticks, zone 18, shown in blue.



ROAD CLASSIFICATION  
1988  
Heavy-duty ——— Light-duty ———  
Medium-duty ——— Unimproved dirt - - - - -  
U.S. Route ——— State Route ———

QUADRANGLE LOCATION  
NEW YORK

TULLY, N. Y.  
SE/4 TULLY 15' QUADRANGLE  
42076-G1-TF-024  
1955  
DMA 5769 1 SE—SERIES V821

THIS MAP COMPLIES WITH NATIONAL MAP ACCURACY STANDARDS  
FOR SALE BY U.S. GEOLOGICAL SURVEY  
DENVER, COLORADO 80225, OR RESTON, VIRGINIA 22092  
A FOLDER DESCRIBING TOPOGRAPHIC MAPS AND SYMBOLS IS AVAILABLE ON REQUEST

To place on the predicted North American Datum 1983  
move the projection lines 3 meters south and  
28 meters west as shown by dashed corner ticks