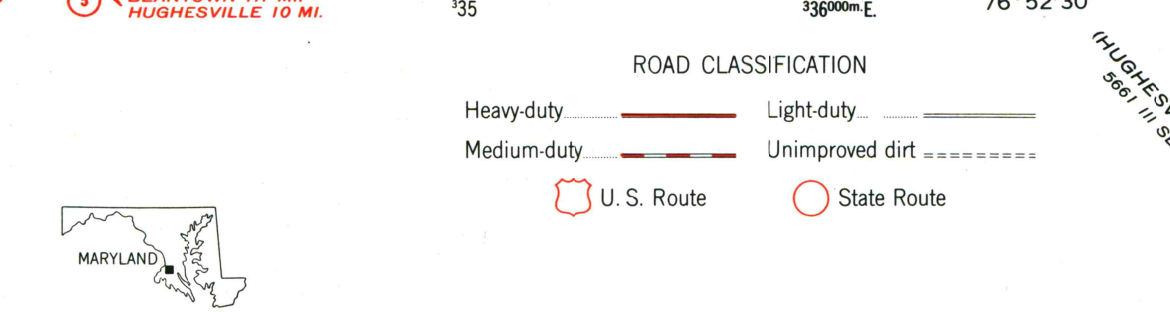
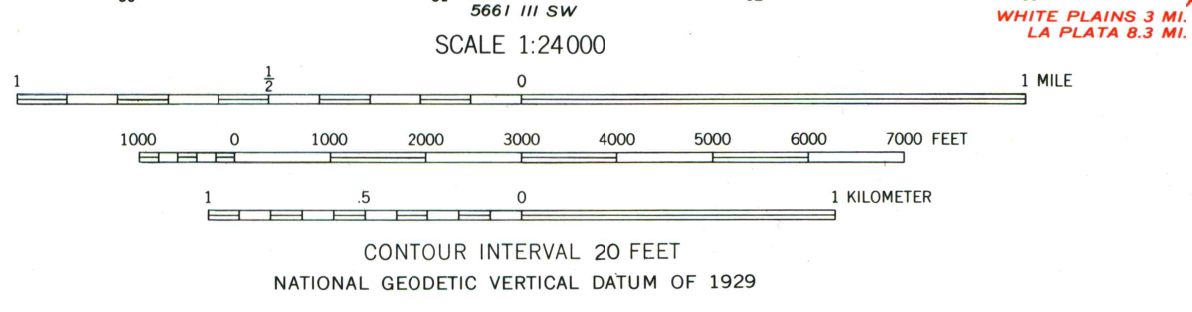


Mapped by the Army Map Service  
Edited and published by the Geological Survey  
Control by USGS and NOS/NOAA  
Planimetry in part by photogrammetric methods from aerial photographs taken 1943. Topography by planetable surveys 1944  
Culture revised by the Geological Survey 1957  
Polyconic projection. 10,000-foot grid ticks based on Maryland coordinate system  
1000-meter Universal Transverse Mercator grid ticks, zone 18, shown in blue  
1927 North American Datum  
To place on the predicted North American Datum 1983 move the projection lines 9 meters south and 26 meters west as shown by dashed corner ticks  
There may be private inholdings within the boundaries of the National or State reservations shown on this map

Revisions shown in purple and woodland compiled by the Geological Survey from aerial photographs taken 1981 and other sources. This information not field checked  
Map edited 1985  
Purple tint indicates extension of urban areas



THIS MAP COMPLIES WITH NATIONAL MAP ACCURACY STANDARDS  
FOR SALE BY U.S. GEOLOGICAL SURVEY  
DENVER, COLORADO 80225, OR RESTON, VIRGINIA 22092  
A FOLDER DESCRIBING TOPOGRAPHIC MAPS AND SYMBOLS IS AVAILABLE ON REQUEST

PISCATAWAY, MD.  
38076-F8-TF-024  
1957  
PHOTOREVISED 1985  
DMA 5661 III NW - SERIES V833

