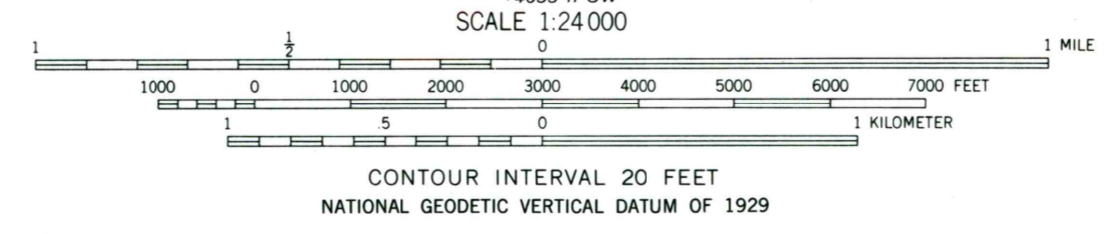
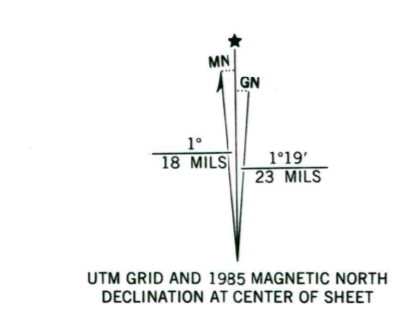




Mapped, edited, and published by the Geological Survey
Control by USGS, USC&GS, and USCE
Topography by photogrammetric methods from aerial photographs taken 1966. Field checked 1971
Projection and 10,000-foot grid ticks: Georgia coordinate system, west zone (transverse Mercator)
1,000-meter Universal Transverse Mercator grid ticks, zone 16, shown in blue. 1927 North American datum
To place on the predicted North American Datum 1983, move the projection lines 7 meters south and 6 meters west as shown by dashed corner ticks
There may be private inholdings within the boundaries of the National or State reservations shown on this map
Carters Lake is subject to controlled inundation to 1099 feet



ROAD CLASSIFICATION

Primary highway, hard surface	Light-duty road, hard or improved surface
Secondary highway, hard surface	Unimproved road
Interstate Route	U. S. Route
	State Route

RAMHURST, GA.
34084-F6-TF-024

THIS MAP COMPLIES WITH NATIONAL MAP ACCURACY STANDARDS
FOR SALE BY U. S. GEOLOGICAL SURVEY, RESTON, VIRGINIA 22092
A FOLDER DESCRIBING TOPOGRAPHIC MAPS AND SYMBOLS IS AVAILABLE ON REQUEST

Revisions shown in purple compiled in cooperation with State of Georgia agencies from aerial photographs taken 1981 and other sources
This information not field checked. Map edited 1985

1971
PHOTOREVISED 1985
DMA 4053 II NW-SERIES V845