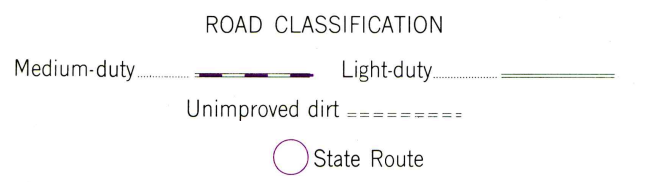
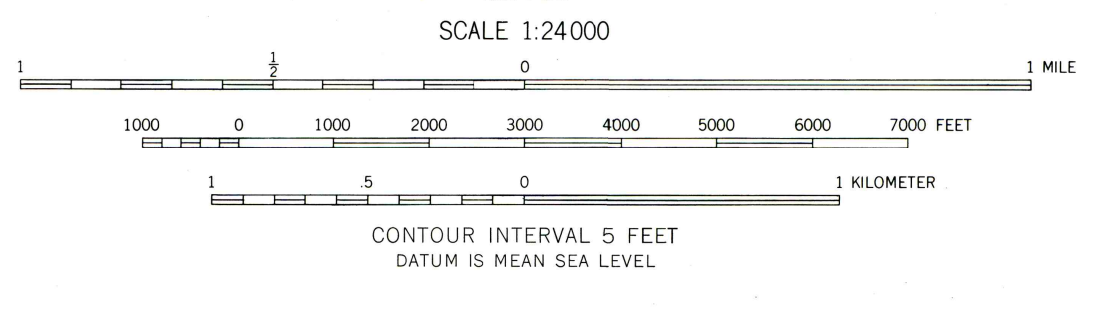
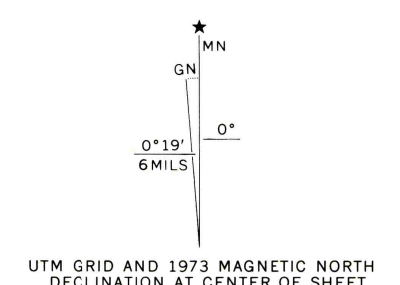


Mapped, edited, and published by the Geological Survey  
Control by USGS and USC&GS  
Culture and drainage in part compiled from aerial photographs taken 1951. Topography by planetable surveys 1956  
Polyconic projection. 1927 North American datum  
10,000-foot grid based on Florida coordinate system, west zone  
1000-meter Universal Transverse Mercator grid ticks, zone 17, shown in blue  
Dashed land lines indicate approximate locations  
Revisions shown in purple and recompilation of woodland areas compiled by the Geological Survey from aerial photographs taken 1973



TELEGRAPH SWAMP NW, FLA.  
N2652.5—W8137.5/7.5

THIS MAP COMPLIES WITH NATIONAL MAP ACCURACY STANDARDS  
FOR SALE BY U. S. GEOLOGICAL SURVEY, RESTON, VIRGINIA 22092  
A FOLDER DESCRIBING TOPOGRAPHIC MAPS AND SYMBOLS IS AVAILABLE ON REQUEST

1956  
PHOTOREVISED 1973  
AMS 4637 1 NW—SERIES V847