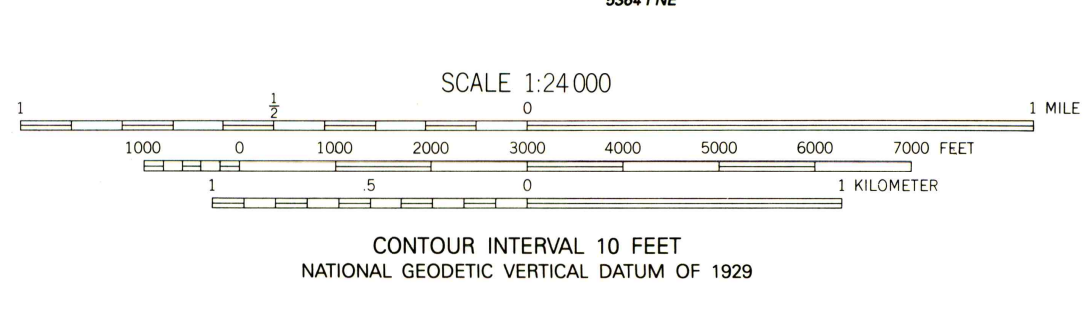
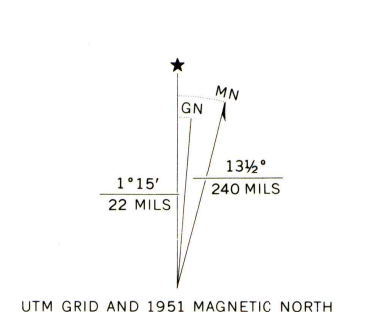


Produced by the United States Geological Survey as part of the Department of the Interior program for the development of the Missouri River Basin Control by USGS and NOS/NOAA
Compiled from aerial photographs taken 1948. Topography by plane-table methods 1951
North American Datum of 1927 (NAD 27). Projection and 10,000-foot grid ticks: Colorado Coordinate System, north zone (Lambert Conformal Conic)
1000-meter Universal Transverse Mercator grid ticks, zone 13, shown in blue
The difference between NAD 27 and North American Datum of 1983 (NAD 83) for 7.5 minute intersections is given in USGS Bulletin 1875. The NAD 83 is shown by dashed corner ticks



ROAD CLASSIFICATION

Primary highway, hard surface	Light-duty road, hard or improved surface
Secondary highway, hard surface	Unimproved road
Interstate Route	U. S. Route
	State Route

QUADRANGLE LOCATION

THIS MAP COMPLIES WITH NATIONAL MAP ACCURACY STANDARDS FOR SALE BY U.S. GEOLOGICAL SURVEY DENVER, COLORADO 80225, OR RESTON, VIRGINIA 22092 A FOLDER DESCRIBING TOPOGRAPHIC MAPS AND SYMBOLS IS AVAILABLE ON REQUEST

REIRADON HILL, COLO.
40103-E1-TF-024
1951
DMA 5365 II SE-SERIES V877