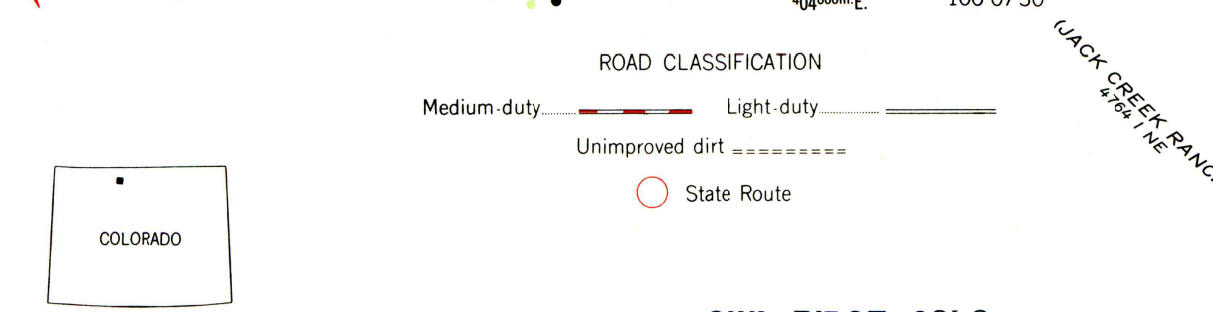
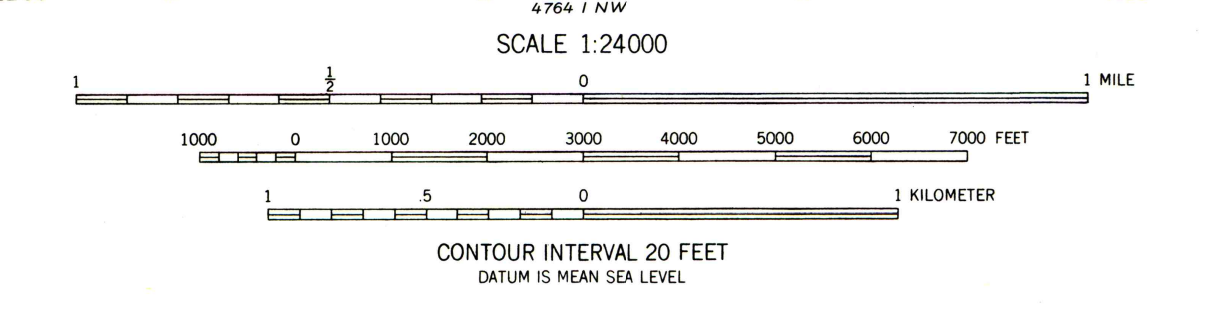
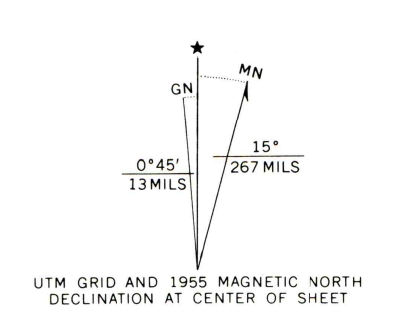


Mapped, edited, and published by the Geological Survey as part of the Department of the Interior program for the development of the Missouri River Basin Control by USGS and USC&GS  
Topography from aerial photographs by multiplex methods  
Aerial photographs taken 1952. Field check 1955  
Polyconic projection. 1927 North American datum  
10,000-foot grid based on Colorado coordinate system, north zone  
Unchecked elevations are shown in brown  
1000-meter Universal Transverse Mercator grid ticks, zone 13, shown in blue  
Map photoinsppected 1975  
No major culture or drainage changes observed



THIS MAP COMPLIES WITH NATIONAL MAP ACCURACY STANDARDS  
FOR SALE BY U. S. GEOLOGICAL SURVEY, DENVER, COLORADO 80225, OR RESTON, VIRGINIA 22092  
A FOLDER DESCRIBING TOPOGRAPHIC MAPS AND SYMBOLS IS AVAILABLE ON REQUEST

OWL RIDGE, COLO.  
N4030—W10607.5/7.5  
1955  
PHOTOINSPECTED 1975  
AMS 4765 II SW—SERIES V877