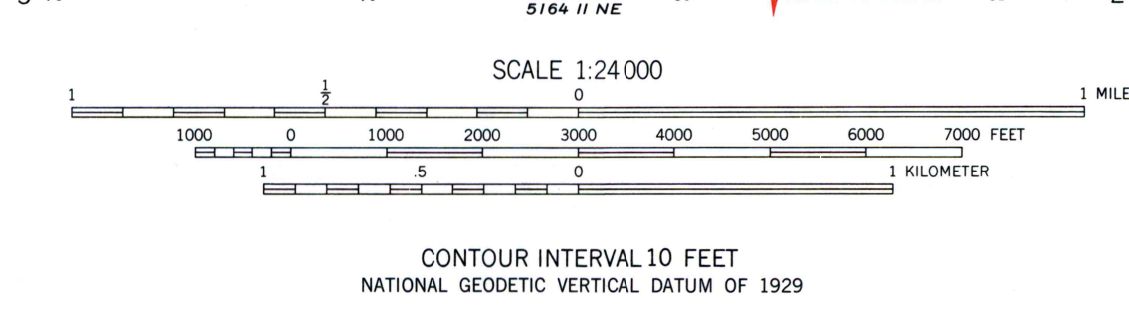
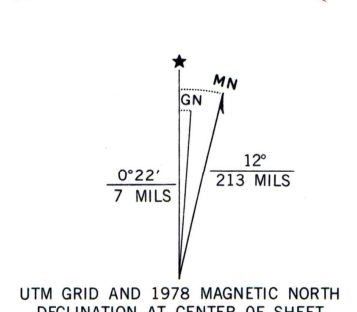
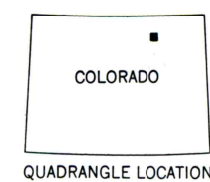


Mapped by the Geological Survey and Bureau of Reclamation  
Edited and published by the Geological Survey  
as part of the Department of the Interior program  
for the development of the Missouri River Basin  
Control by USGS, NOS/NOAA, and USBR  
Culture and drainage in part compiled from aerial photographs  
taken 1949. Topography by planetable surveys 1947-1951  
Field checked 1951. Limited revision 1971  
Polyconic projection. 1927 North American datum  
10,000-foot grid based on Colorado coordinate system, north zone  
1,000-meter Universal Transverse Mercator grid ticks,  
zone 13, shown in blue  
There may be private inholdings within the boundaries of  
the National or State reservations shown on this map



CONTOUR INTERVAL 10 FEET  
NATIONAL GEODETIC VERTICAL DATUM OF 1929



ROAD CLASSIFICATION  
Primary highway, hard surface  
Secondary highway, hard surface  
Unimproved road  
Interstate Route  
U. S. Route  
State Route  
Light-duty road, hard or improved surface

THIS MAP COMPLIES WITH NATIONAL MAP ACCURACY STANDARDS  
FOR SALE BY U. S. GEOLOGICAL SURVEY, DENVER, COLORADO 80225, OR RESTON, VIRGINIA 22092  
A FOLDER DESCRIBING TOPOGRAPHIC MAPS AND SYMBOLS IS AVAILABLE ON REQUEST

Revisions shown in purple compiled from aerial photographs  
taken 1975 and other source data. This information not  
field checked. Map edited 1978

ORCHARD, COLO.  
N4015-W10400/7.5  
1951  
PHOTOREVISED 1978  
DMA 5164 I SE-SERIES V877