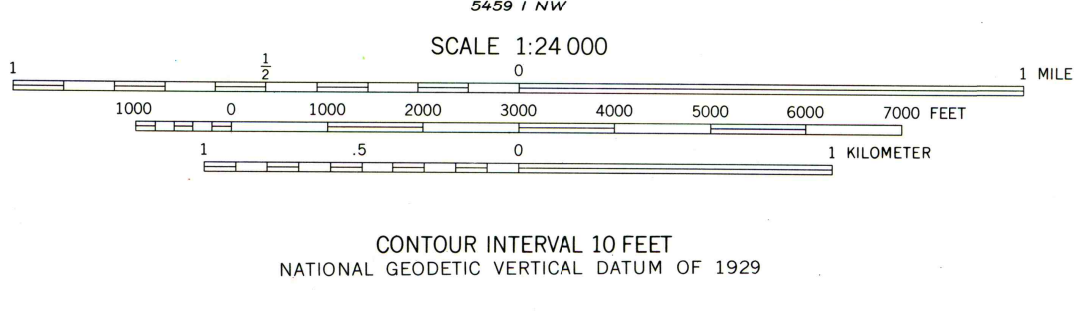


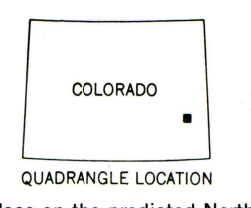
Mapped, edited, and published by the Geological Survey  
Control by USGS and USC&GS  
Culture and drainage in part compiled from aerial photographs taken 1947. Topography by plane-table surveys 1952  
Polyconic projection. 1927 North American Datum  
10,000-foot grid based on Colorado coordinate system, south zone  
Dashed land lines indicate approximate locations  
1000-meter Universal Transverse Mercator grid ticks, zone 13, shown in blue  
Red tint indicates area in which only landmark buildings are shown  
Purple tint indicates extension of urban areas

Revisions shown in purple and woodland compiled from aerial photographs taken 1975 and other source data  
This information not field checked. Map edited 1979



ROAD CLASSIFICATION

Heavy-duty	4 LANE 16 LANE	Light-duty
Medium-duty	4 LANE 16 LANE	Unimproved dirt
U.S. Route		State Route



THIS MAP COMPLIES WITH NATIONAL MAP ACCURACY STANDARDS  
FOR SALE BY U.S. GEOLOGICAL SURVEY, DENVER, COLORADO 80225, OR RESTON, VIRGINIA 22092  
A FOLDER DESCRIBING TOPOGRAPHIC MAPS AND SYMBOLS IS AVAILABLE ON REQUEST

To place on the predicted North American Datum 1983  
move the projection lines 2 meters north and  
42 meters east as shown by dashed corner ticks

LAMAR WEST, COLO.  
38102-A6-TF-024  
1952  
PHOTOREVISED 1979  
DMA 5460 II SW-SERIES V877