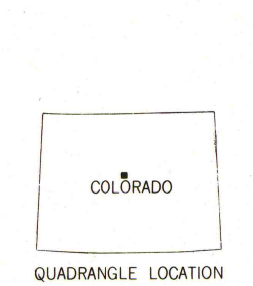
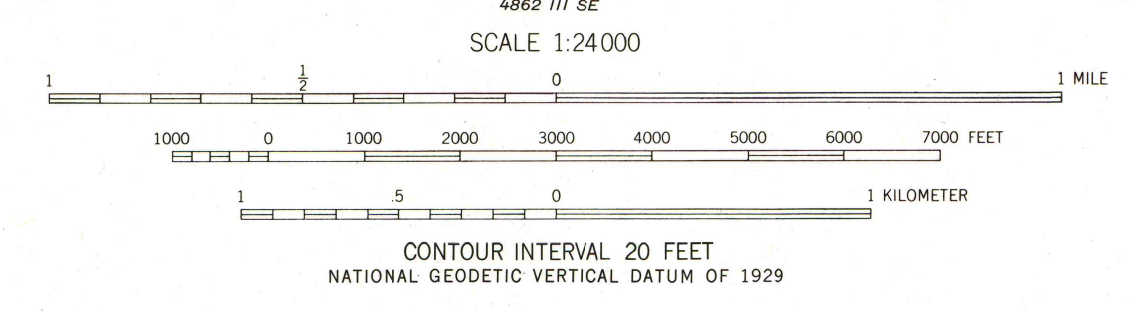
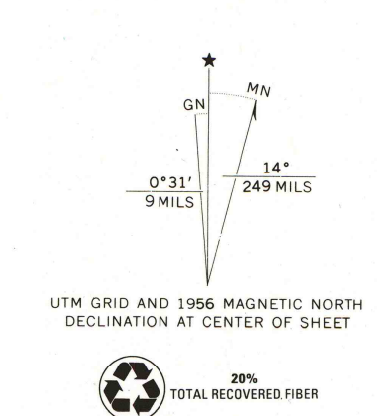


Maped, edited, and published by the Geological Survey as part of the Department of the Interior program for the development of the Missouri River Basin Control by USGS and USC&GS Topography from aerial photographs by multiplex methods Aerial photographs taken 1953. Field check 1956 Polyconic projection. 1927 North American datum 10,000-foot grid based on Colorado coordinate system, central zone 1000-meter Universal Transverse Mercator grid ticks, zone 13, shown in blue Dashed land lines indicate approximate locations To place on the predicted North American Datum 1983 move the projection lines 5 meters north and 50 meters east as shown by dashed corner ticks



ROAD CLASSIFICATION Light-duty Unimproved dirt

THIS MAP COMPLIES WITH NATIONAL MAP ACCURACY STANDARDS FOR SALE BY U.S. GEOLOGICAL SURVEY, P.O. BOX 25286, DENVER, COLORADO 80225 A FOLDER DESCRIBING TOPOGRAPHIC MAPS AND SYMBOLS IS AVAILABLE ON REQUEST

ELKHORN, COLO. N3907.5-W10545/7.5 1956

DMA 4862 III NE-SERIES V877



ISBN 0-607-11763-X 9 780607 117639