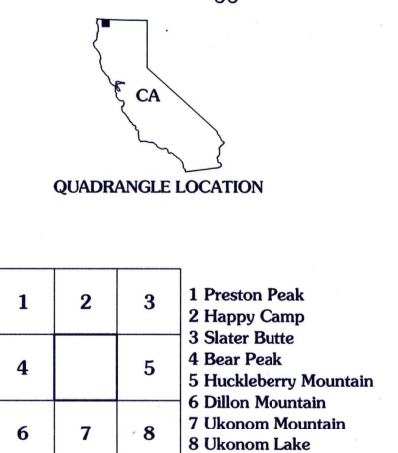
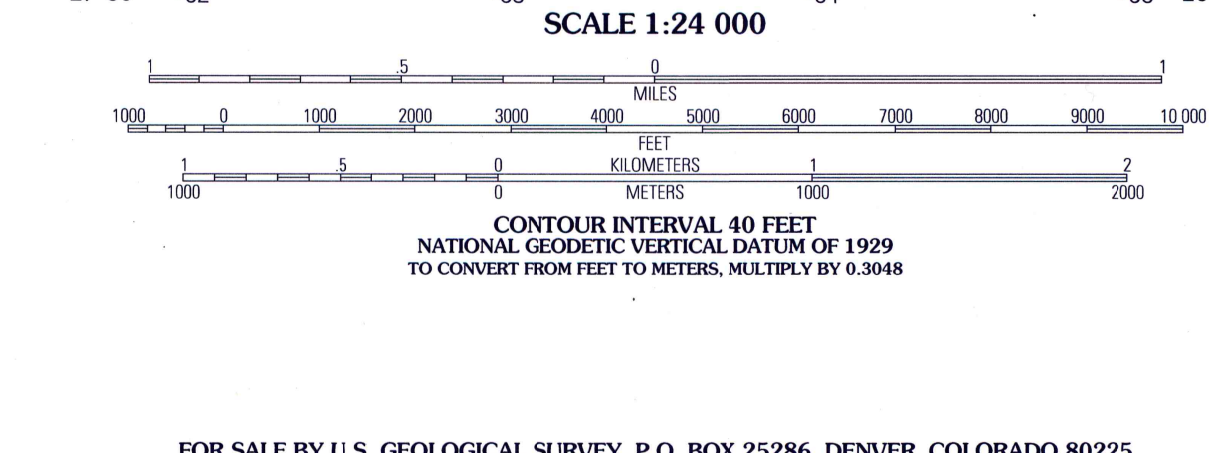
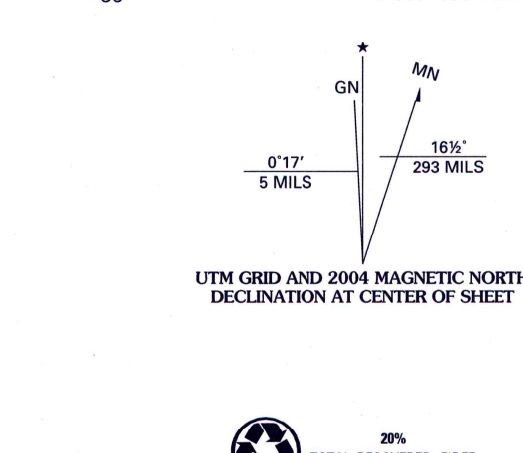


Produced by the United States Geological Survey 1981
Revision by USDA Forest Service 2001
Topography compiled 1965. Planimetry derived from imagery taken 1998 and other sources. Public Land Survey System and survey control current as of 2003. Boundaries current as of 2003.
North American Datum of 1927 (NAD 27). Projection and 10 000-foot ticks: California coordinate system, zone 1 (Lambert conformal conic). Blue 1000-meter Universal Transverse Mercator ticks, zone 10
North American Datum of 1983 (NAD 83) is shown by dashed corner ticks. The values of the shift between NAD 27 and NAD 83 for 7.5-minute intersections are obtainable from National Geodetic Survey NADCON software.
Non-National Forest System lands within the National Forest. Inholdings may exist in other National or State reservations.
This map is not a legal land line or ownership document. Public lands are subject to change and leasing, and may have access restrictions; check with local offices. Obtain permission before entering private lands.



HIGHWAYS AND ROADS

Interstate	Primary highway
U. S.	Secondary highway
State	Light-duty road
County	Composition: Unspecified
National Forest, suitable for passenger cars	Paved
National Forest, suitable for high clearance vehicles	Gravel
National Forest Trail	Unimproved; 4 wheel drive
	Trail
	Gate; Barrier

CLEAR CREEK, CA
2001
41123-F4-TF-024
NIMA 1367 III NW-SERIES V895



FOR SALE BY U.S. GEOLOGICAL SURVEY, P.O. BOX 25286, DENVER, COLORADO 80225
A FOLDER DESCRIBING TOPOGRAPHIC MAPS AND SYMBOLS IS AVAILABLE ON REQUEST